

1st YEAR
HOME CONFINEMENT HOMEWORK AND ACTIVITIES

Estimades famílies, seguint les instruccions de les autoritats competents, us passe unes fitxetes per repassar continguts del que portem de curs perquè treballen les xiquetes i xiquets aquestes setmanes de confinament decretat pel Govern. Cada setmana us passaré més activitats per continuar amb les rutines diàries de l'escola a casa vostra.

És important no forçar-los amb la faena i dosificar el treball al llarg de la setmana per tal de no aclaparar-los. Hi he posat 5 fitxes que poden fer al llarg de la setmana.

Us adjunte uns enllaços a cançons que podeu usar de forma lúdica per treballar el vocabulari i la fonètica i repassar:

- **Repàs numbers 1 to 20, days of the week, weather, family**

<https://www.youtube.com/watch?v=D0Ajq682yrA>
<https://www.youtube.com/watch?v=Vr-L6q4vbWU>
<https://www.youtube.com/watch?v=36n93jvjKDs&t=4s>
<https://www.youtube.com/watch?v=mXMofxtDPUQ>
<https://www.youtube.com/watch?v=rD6FRDd9Hew>
<https://www.youtube.com/watch?v=K72Ijynx4DA>

- **Repàs Unit 1: School supplies**

<https://www.youtube.com/watch?v=hjFaqDNUVfo>
<https://www.youtube.com/watch?v=5HOeWyAkhRc>

- **Repàs Unit 2: Body**

<https://www.youtube.com/watch?v=WX8HmogNyCY>
<https://www.youtube.com/watch?v=eBVqcTEC3zQ>
https://www.youtube.com/watch?v=eMOnyPxE_w8&t=90s

- **Repàs Unit 3: Clothes**

https://www.youtube.com/watch?v=-jBfb33_KHU
<https://www.youtube.com/watch?v=1GDFa-nEzlg>

- **Repàs Unit 4: Toys**

<https://www.youtube.com/watch?v=0tBTF6qV1ZY>
<https://www.youtube.com/watch?v=8-SWzpdcl6E>
<https://www.youtube.com/watch?v=8F0NYBBKczM>

Gracietes, ànim i molt d'humor per a aquests dies ;)

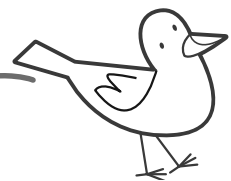
Ah!!! I no oblideu, Wash your hands!!!

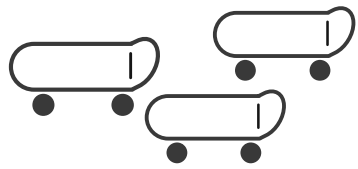
<https://www.youtube.com/watch?v=dDHJW4r3eIE>

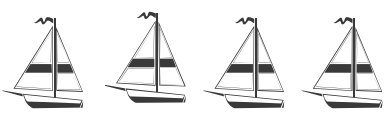
1  Look and match.

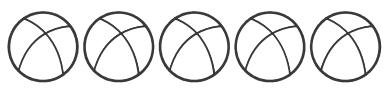
1
2
3
4
5
6
7
8
9
10

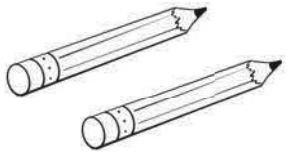
two
four
seven
ten
one
three
five
nine
six
eight

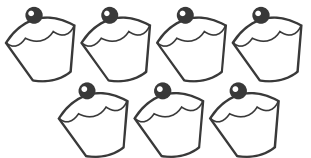
a 


b 

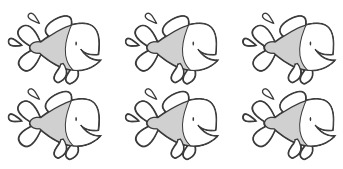
c 

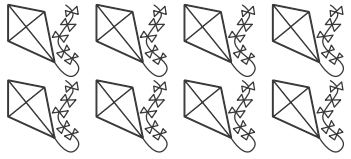
d 

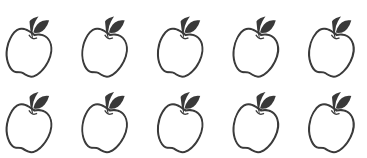
e 

f 

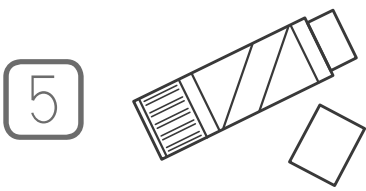
g 

h 

i 

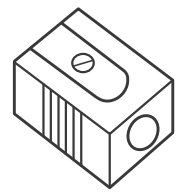
j 

1 Trace. 2 Count and write.

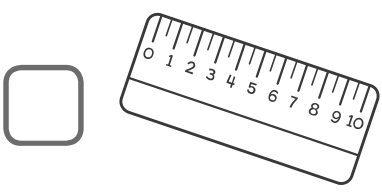


5

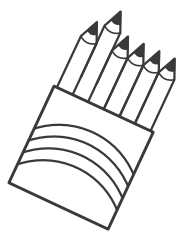
glue



sharpener

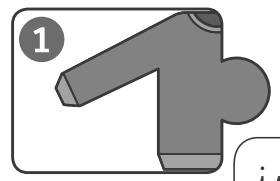


ruler

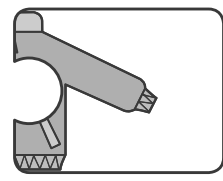


coloured pencils

1 Match and draw. 2 Trace.

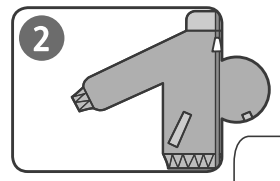


1 jum

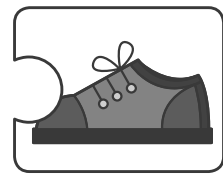


at

socks

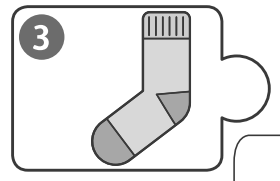


2 co

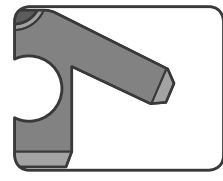


oes

3 jumper

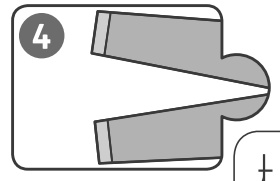


3 so

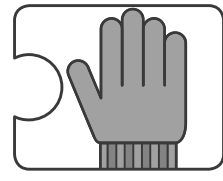


per

coat



4 trou

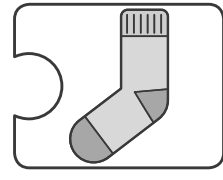


oves

shoes

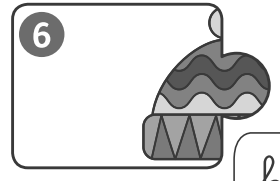


5 sh

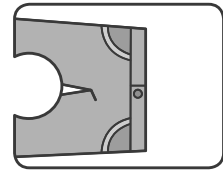


cks

trousers

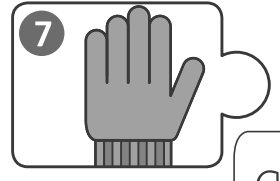


6 ha

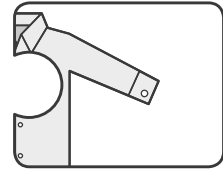


sers

gloves

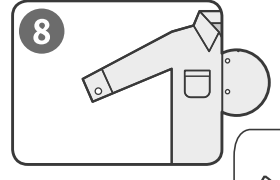


7 gl

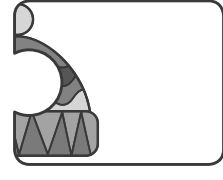


irt

hat



8 sh

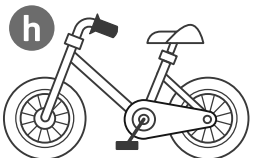
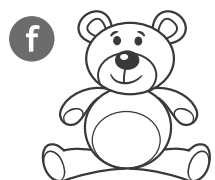
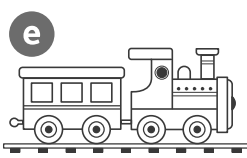
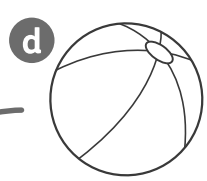
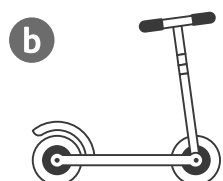
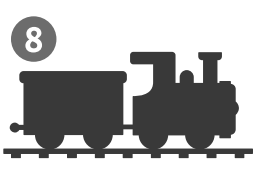
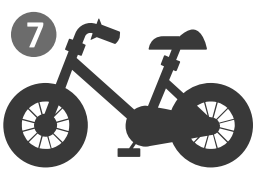
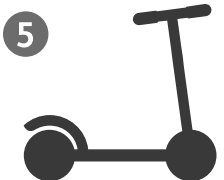
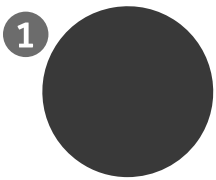


t

shirt

1  Match and write.

puppet guitar bike train set
~~ball~~ scooter tablet teddy



Where's my
g _ _ _ _ ?

Where's my
s _ _ _ _ ?

Where's my
p _ _ _ _ ?

Where's my
ba l l ?

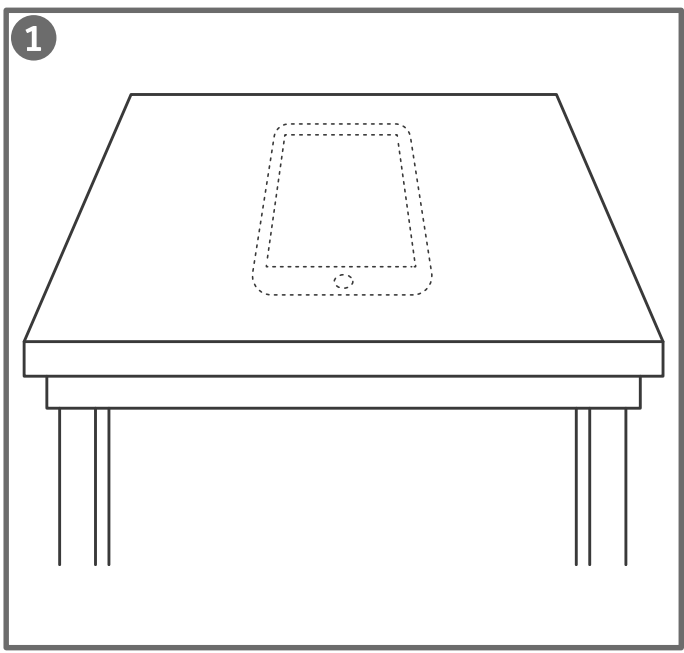
Where's my
t _ _ _ _ s _ _ ?

Where's my
t _ _ _ _ ?

Where's my
t _ _ _ _ ?

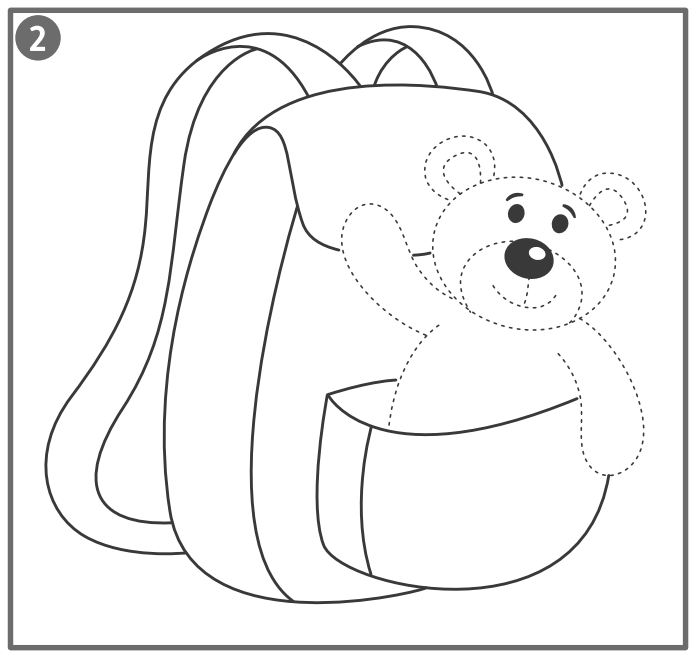
Where's my
b _ _ _ ?

1 Trace. 2 Circle and write.



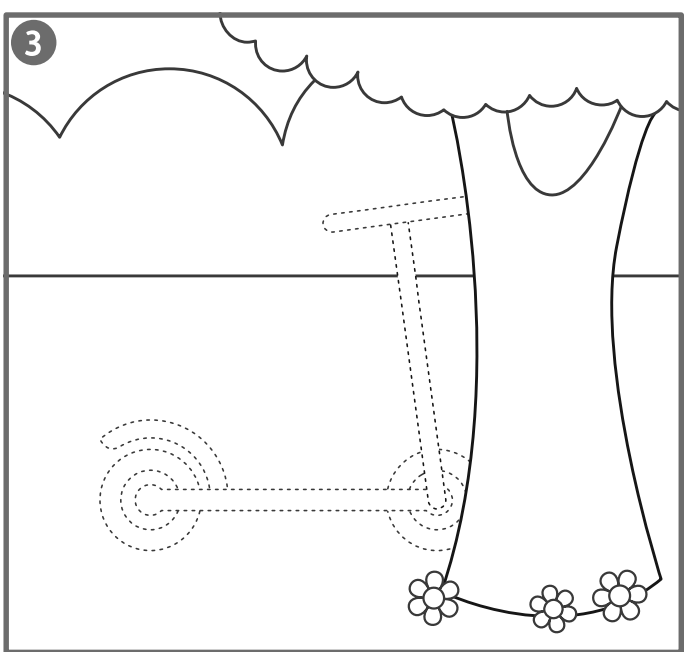
on behind

It's o n the table.



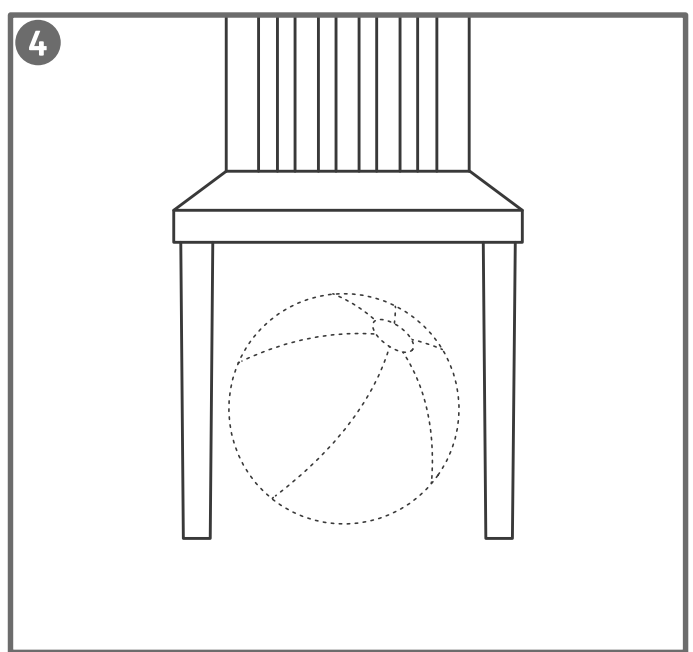
in on

It's _ _ the bag.



under behind

It's _ _ _ _ _
the tree.



under in

It's _ _ _ _ _
the chair.