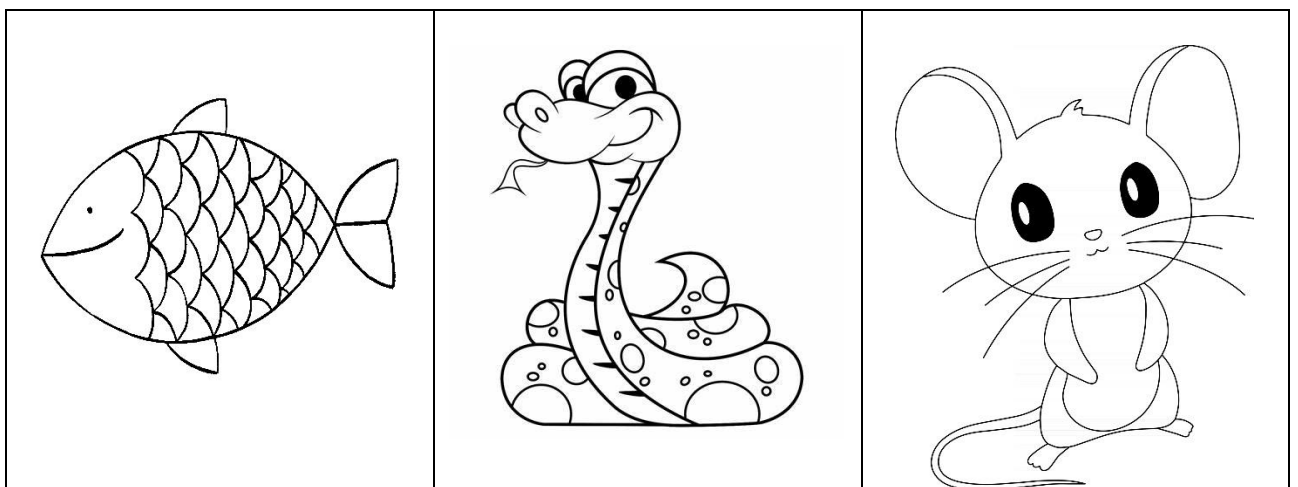
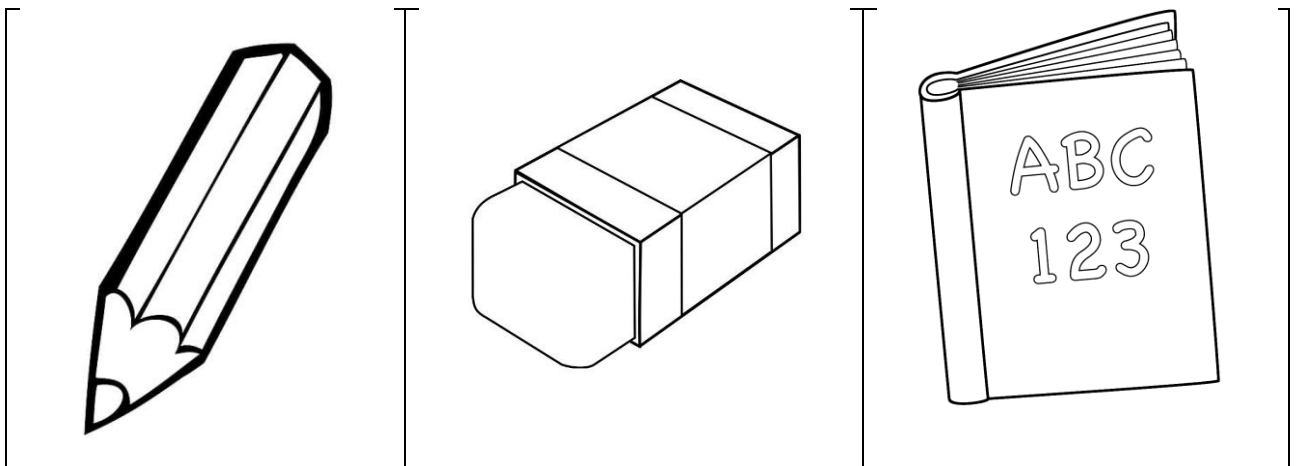


NAME: _____

ENGLISH

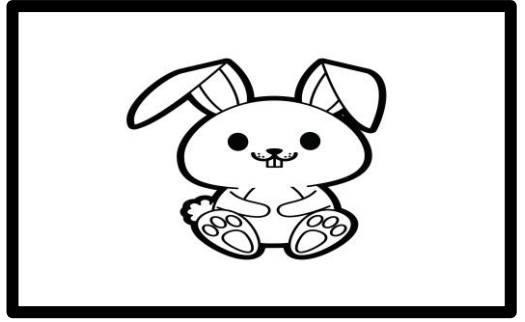
DIAGNOSTIC TEST 2ND GRADE

1. Listen and circle the correct picture:

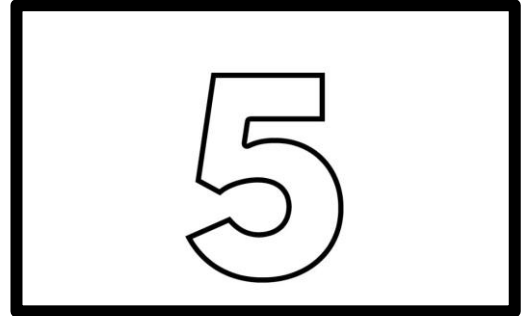


→
2. Read and match:

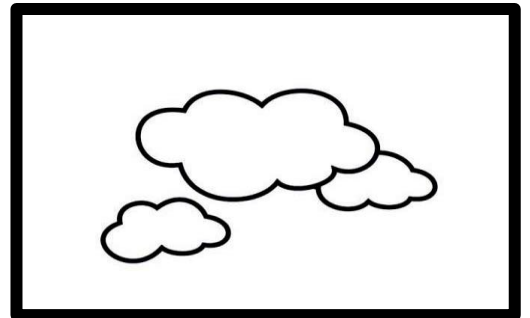
Cloudy



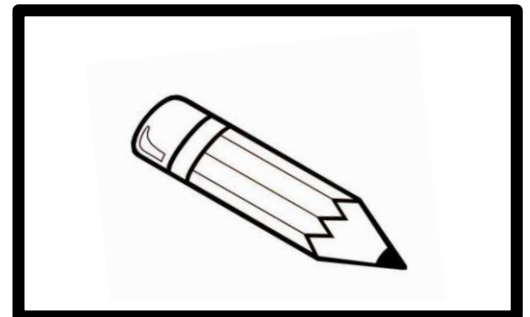
Pencil



Five



Rabbit



It is easy 😊

OK 😐

difficult ☹️